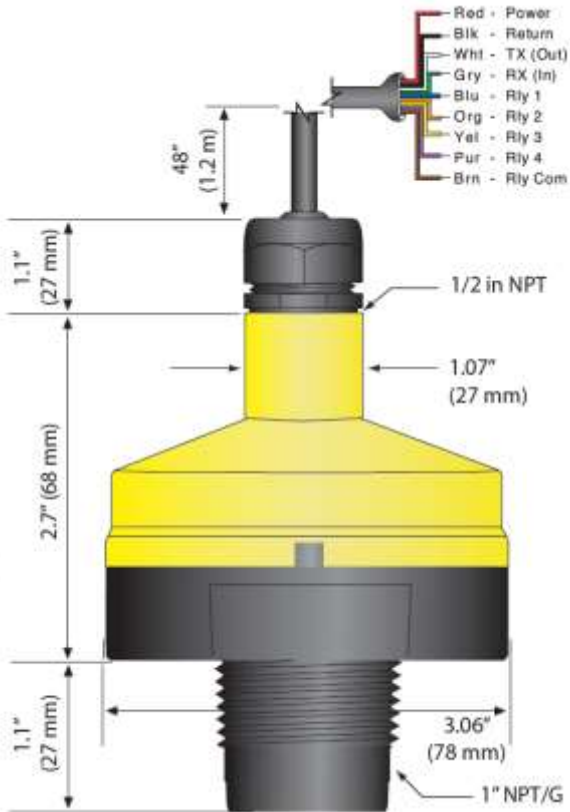


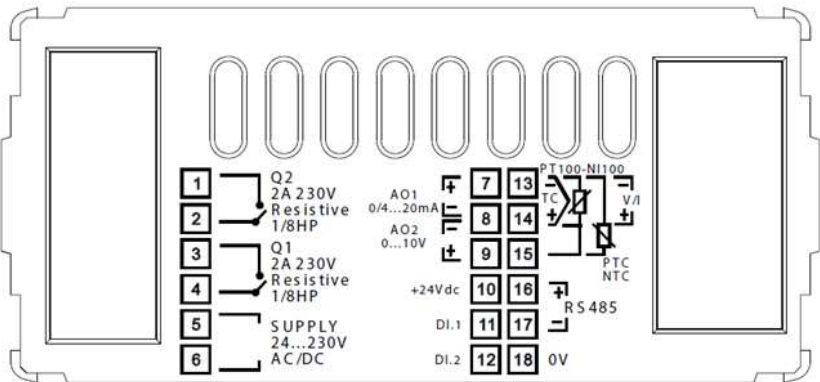


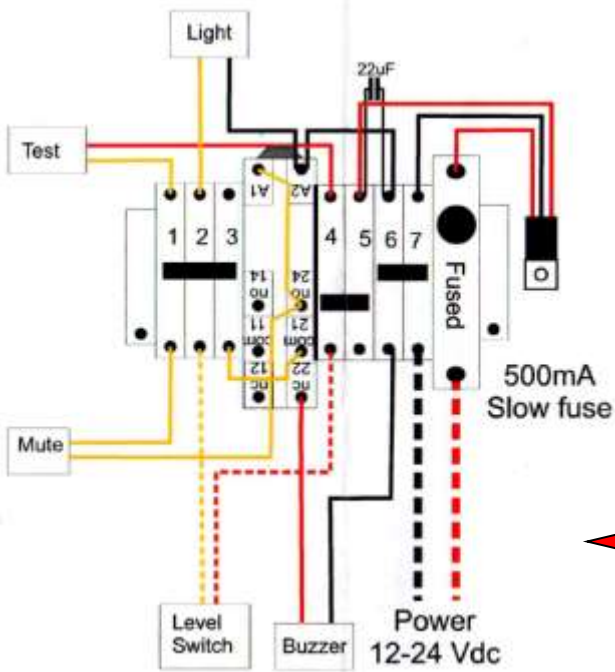
**TL-STR-24V-MB**  
**Light & Alarm, Mute switch**



**POSITIVE LEVEL TX (RED WIRE) GOES TO NUMBER 10 ON REAR OF STR551 DISPLAY**

**NEGATIVE LEVEL TX (BLACK WIRE) GOES TO NUMBER 14 ON REAR OF STR551 DISPLAY**





24 VDC POWER CONNECTS TO :

POSTIVE = FUSED

NEGATIVE = 7



Below Example: If you have external power for Level Sensor

